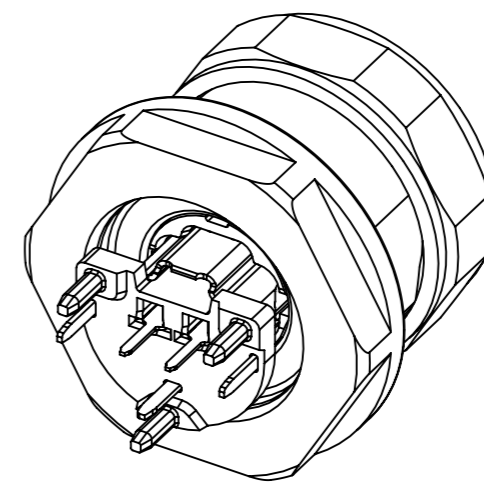
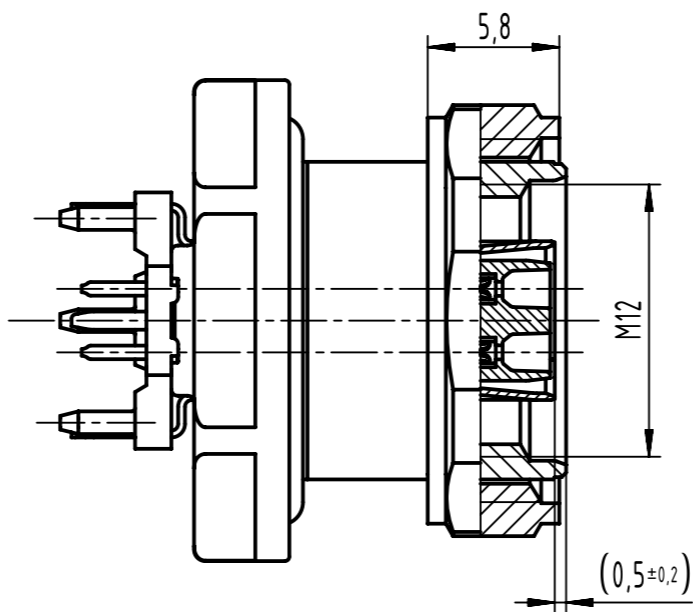
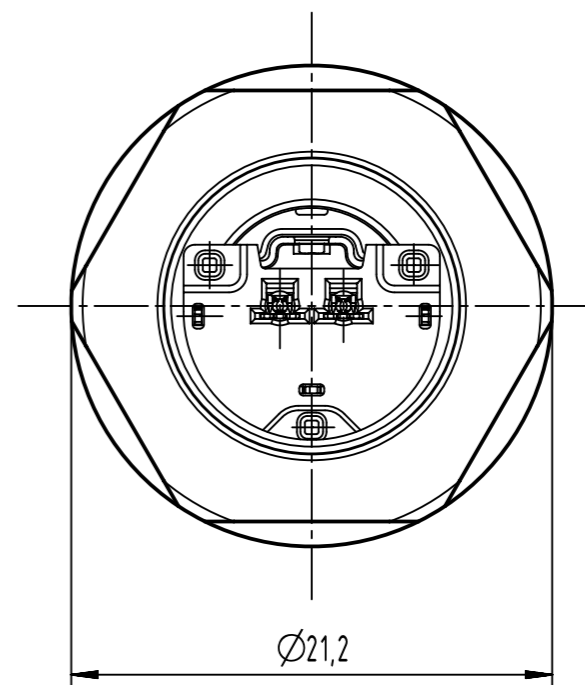
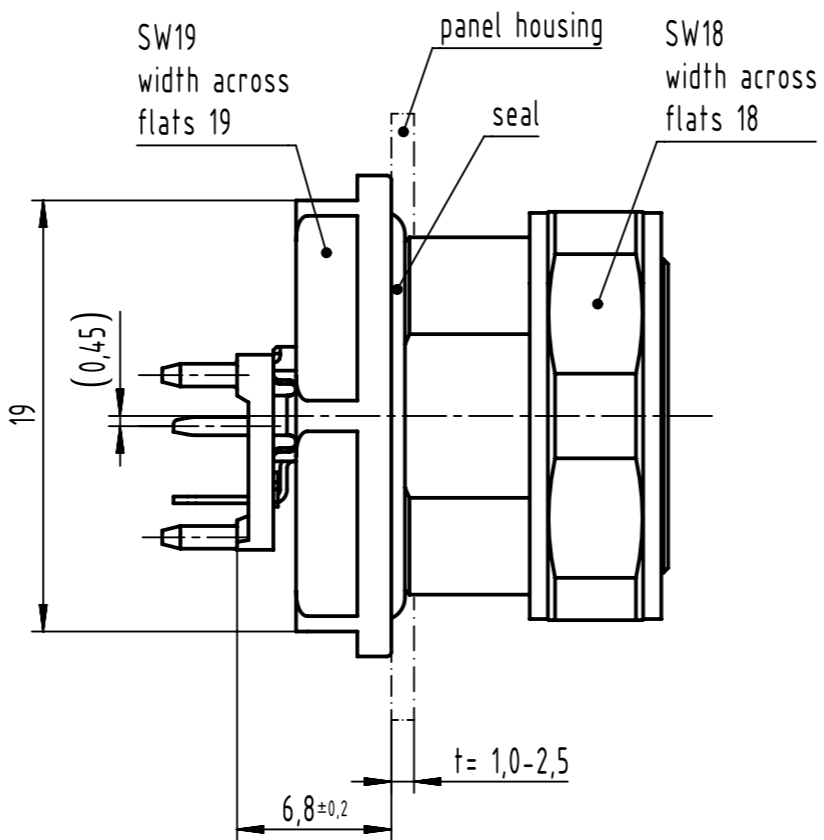
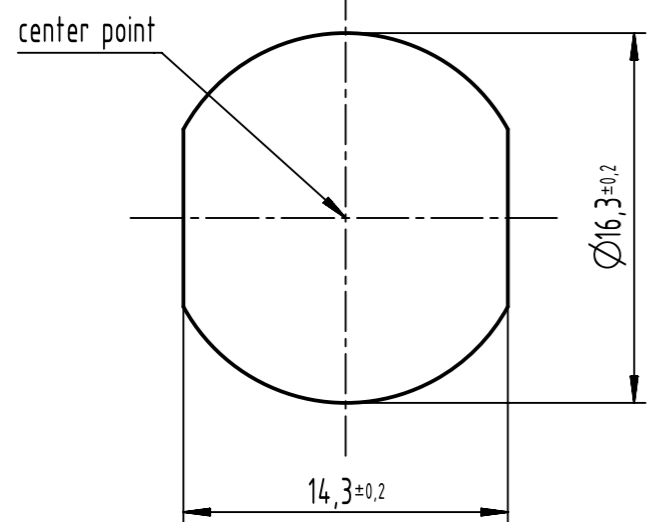


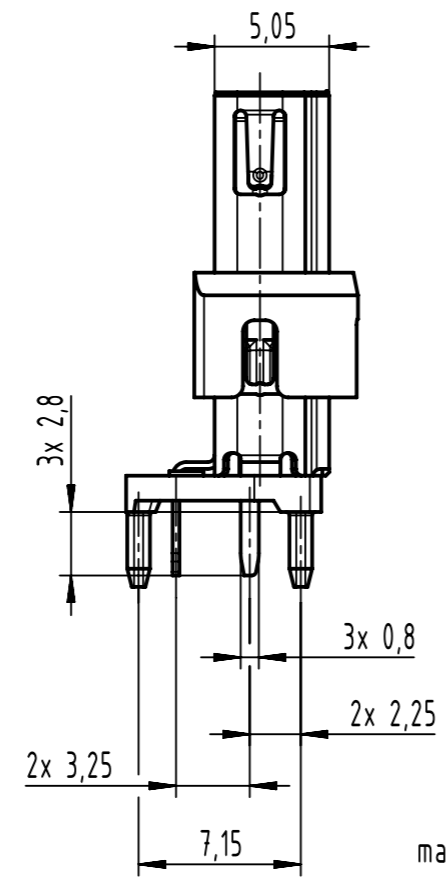
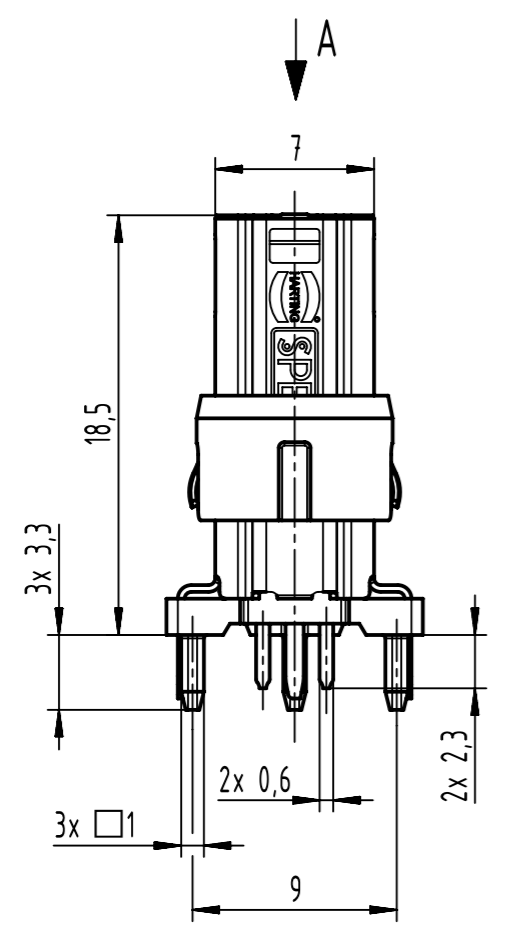
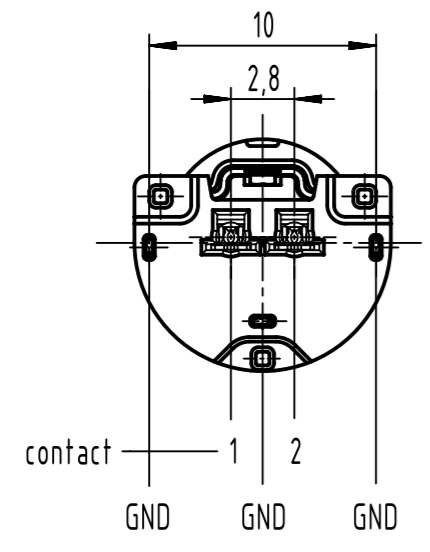
panel cut out



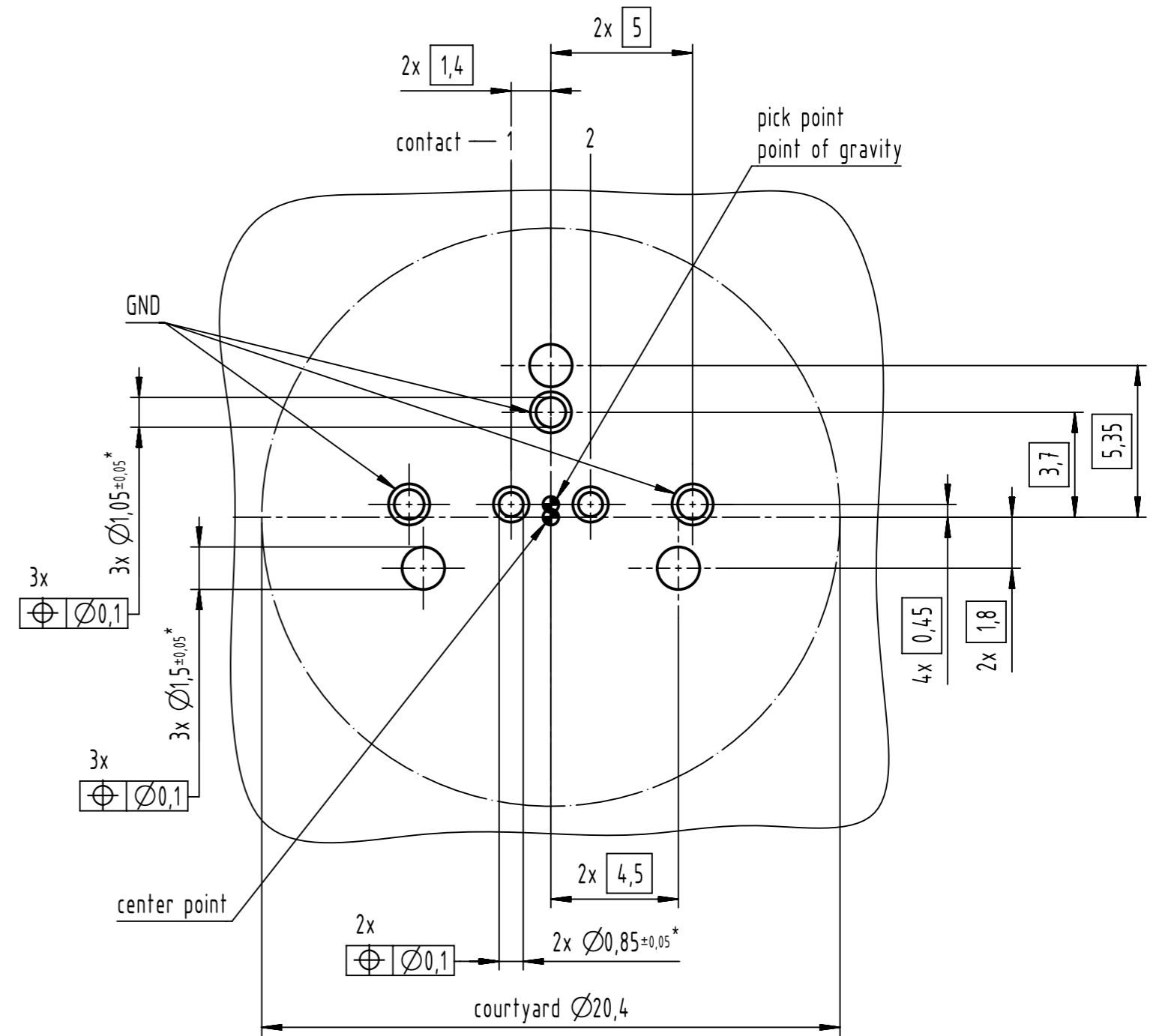
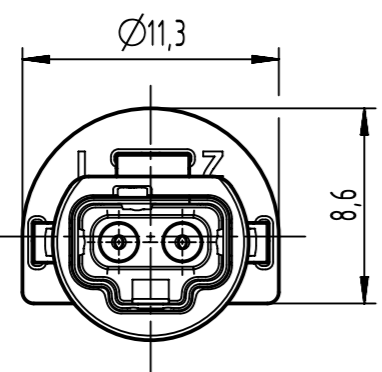
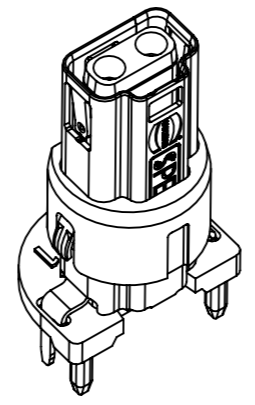
1 piece single package

	All rights reserved Department EL PD	All Dimensions in mm Original Size DIN A3		Scale 3:1	Free size tol.	Ref. Sub.
		HARTING D-32339 Espelkamp	Created by HASELOH	Inspected by LUETTERMANN	Standardisation	Date 2022-12-07
		Title M12-PCB-THR-2PC-2P-SPE-F-STR-SHLD				Doc-Key / ECM-Nr. 100728602/UGD/010/D 500000232007
		Type TB	Number 21033392220		Rev. D	Page 1/2

6 A (5:1)  
PCB layout



mating face acc. to IEC 63171-6



\*) all holes are finished diameter

contact	PMA signal
1	BI DA+
2	BI DA-

	All rights reserved	Created by HASELOH	Inspected by LUETTERMANN	Standardisation	Date 2022-12-07	State Final Release
	Department EL PD	Title M12-PCB-THR-2PC-2P-SPE-F-STR-SHLD			Doc-Key / ECM-Nr. 100728602/UGD/010/D 50000232007	
HARTING D-32339 Espelkamp	Type TB	Number 21033392220		Rev. D	Page 2/2	